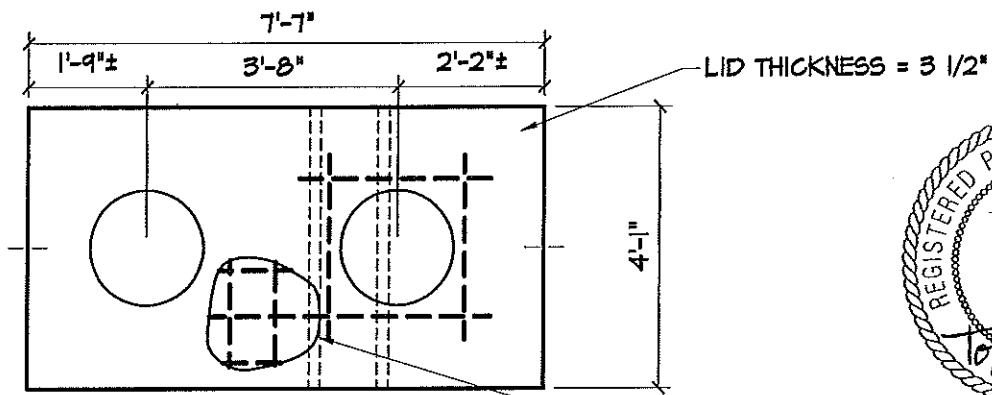


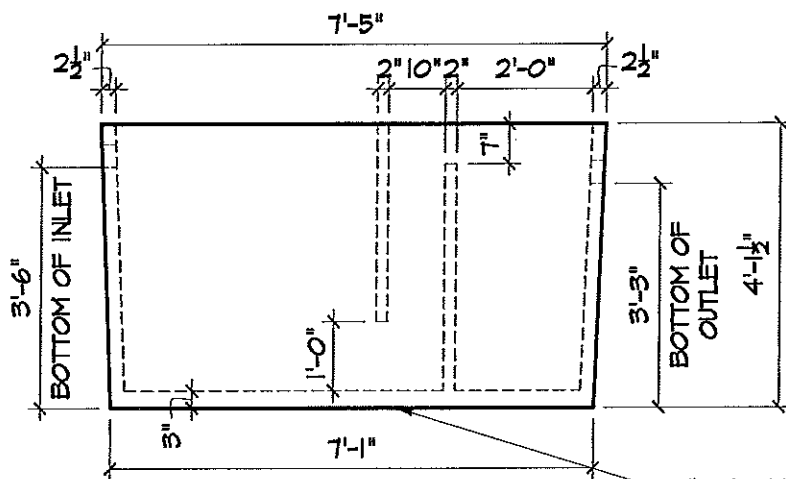
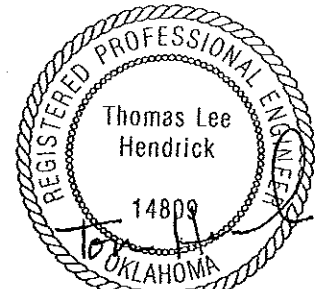
NOTES:

1. CONCRETE THICKNESS SHALL BE AS SHOWN.
2. CONCRETE STRENGTH = 6000 PSI. THE WATER-CEMENT RATIO SHALL NOT EXCEED 0.45.
3. REINFORCING SHALL BE #3 BARS AS SHOWN (40 KSI), PLUS NOVOMESH SECONDARY REINFORCING.
4. WALL, FLOOR AND CEILING REINFORCING SHALL BE PLACED AT THE CENTER OF THE SLABS
5. PROVIDE (1)-#3 BAR 2 INCHES FROM FACE OF ALL OPENINGS. EXTEND 12 INCHES PAST OPENINGS.
6. EXTEND 90 DEGREE BARS (DOWELS) FROM BOTTOM SLAB INTO WALLS. MATCH DOWEL BARS WITH SPACING OF BOTTOM SLAB BARS AND LAP 16 INCHES.
7. THE GREASE TRAP CEILING SLAB IS DESIGNED TO SUPPORT A UNIFORM LOAD OF 200 PSF.
8. THE TOP OF THE TANK IS ASSUMED TO BE PLACED NO MORE THAN 18 INCHES BELOW THE SURFACE. IF THE DEPTH VARIES MORE THAN 6 INCHES FROM THIS, THE STRUCTURAL ENGINEER SHOULD BE NOTIFIED.
9. ALL SOILS ADJACENT TO SHELTERS SHALL BE PROPERLY COMPACTED IN UNIFORM LIFTS NOT TO EXCEED 12 INCHES. SOILS SHALL INCLUDE CLEAN SAND, GRAVEL, OR BROKEN STONE AND SHALL BE FREE OF FINES THAT MIGHT OBSTRUCT FREE DRAINAGE.



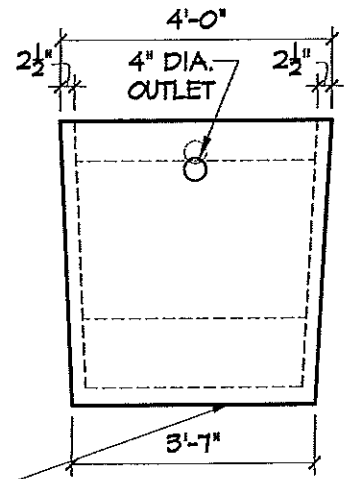
PLAN VIEW OF LID

#3 AT 8" O.C. EACH WAY
IN TOP SLAB.




SIDE VIEW

#3 AT 12" O.C. EACH
WAY IN BOTTOM OF
SLAB



END VIEW

wallace

 WALLACE ENGINEERING
 STRUCTURAL CONSULTANTS, INC.
 200 EAST BRADY STREET
 TULSA, OKLAHOMA 74103-2012
 918 584-3050, FAX 918 584-0666

500 GALLON GREASE TRAP

Hausner's Limited
 P.O. Box 1307 Durant, Ok 74702-1307
 Phone: 580-924-6988 Fax: 580-924-6742

PROJECT NO.: 0610996
ORIGINAL ISSUE DATE: 10/13/06
REVISION: ADDENDUM 0
REVISION DATE: 00/00/00

S1

SHEET NO.