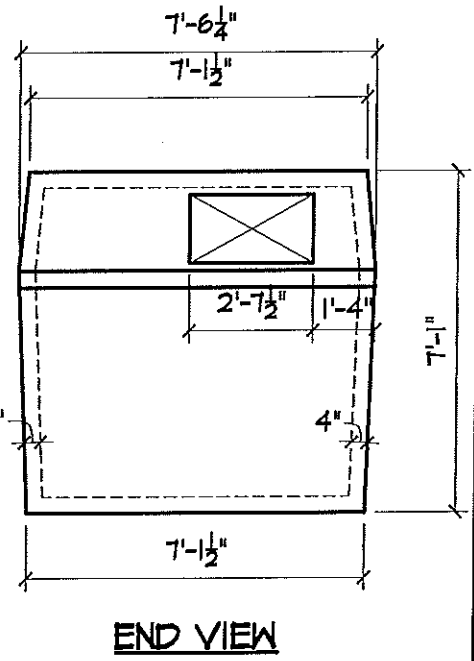
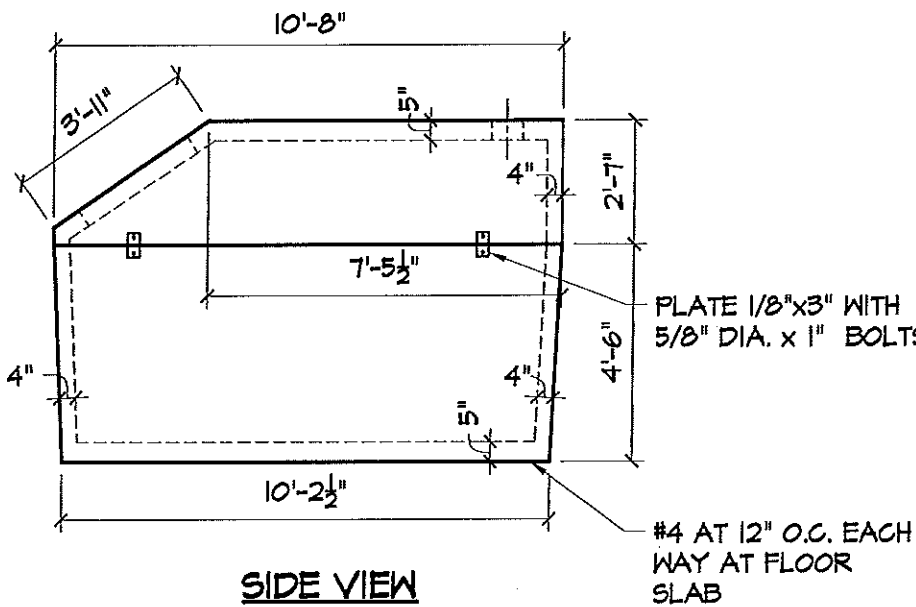
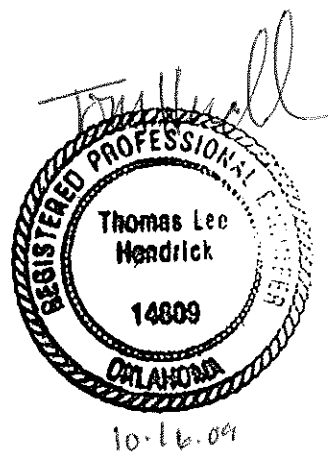
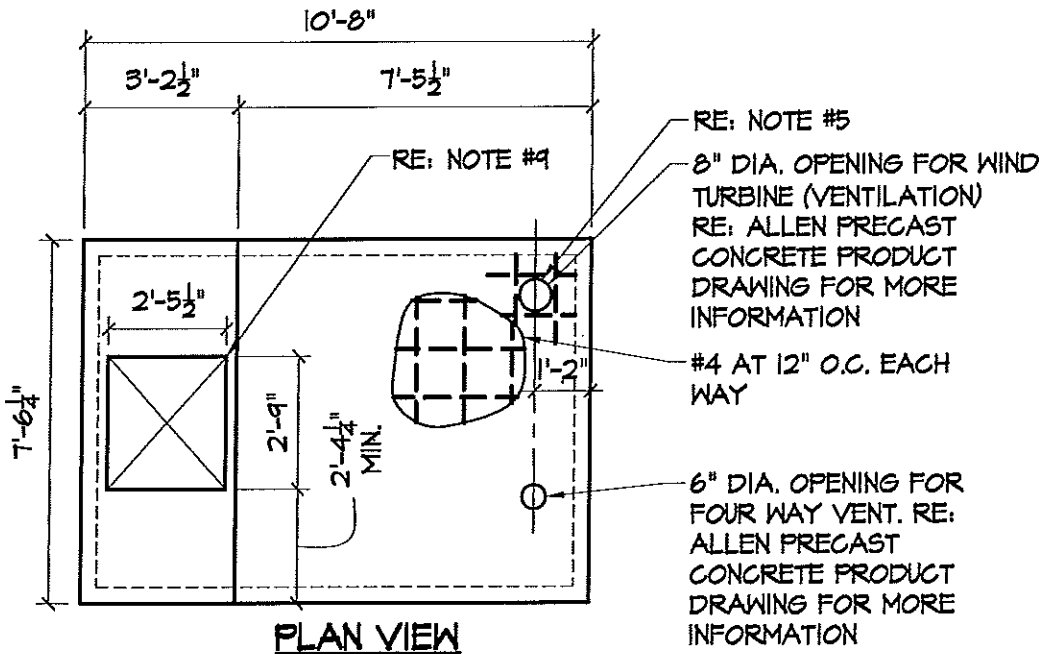


**NOTES:**

1. CONCRETE THICKNESS SHALL BE AS SHOWN.
2. CONCRETE STRENGTH = 6000 PSI. THE WATER-CEMENT RATIO SHALL NOT EXCEED 0.45.
3. REINFORCING SHALL BE #4 BARS AS SHOWN (40 KSI), PLUS NOVOMESH SECONDARY REINFORCING.
4. CEILING AND FLOOR REINFORCING SHALL BE PLACED AT THE CENTER OF SLABS. REINFORCING IN WALL SLAB SHALL BE PLACED AT 1 INCH FROM INSIDE FACE OF WALL.
5. PROVIDE (1)-#4 BAR 2 INCHES FROM FACE OF ALL OPENINGS. EXTEND 12 INCHES PAST OPENING.
6. EXTEND 90 DEGREE BARS (DOWELS) FROM BOTTOM SLAB INTO WALLS. MATCH DOWEL BARS WITH SPACING OF BOTTOM SLAB BARS AND LAP 18 INCHES.
7. THE SHELTER TOP SLAB IS DESIGNED TO SUPPORT A UNIFORM LOAD OF 224 PSF.
8. ALL SOILS ADJACENT TO SHELTERS SHALL BE PROPERLY COMPACTED IN UNIFORM LIFTS NOT TO EXCEED 12 INCHES. SOILS SHALL INCLUDE CLEAN SAND, GRAVEL OR BROKEN STONE AND SHALL BE FREE OF FINES THAT MIGHT OBSTRUCT FREE DRAINAGE.
9. RE: HAUSNER LIMITED CONCRETE PRODUCT DRAWINGS FOR DOOR AND OTHER INFORMATION NOT SHOWN.



**JUMBO SLOPED FRONT STORM SHELTER**

**HAUSNER LIMITED**

P.O. Box 1307 Durant, OK 74702  
 Phone: 580-924-6988

PROJECT NO.: 0910858
ORIGINAL ISSUE DATE: 10/16/09
REVISION:
REVISION DATE:

SHEET NO. **S01**