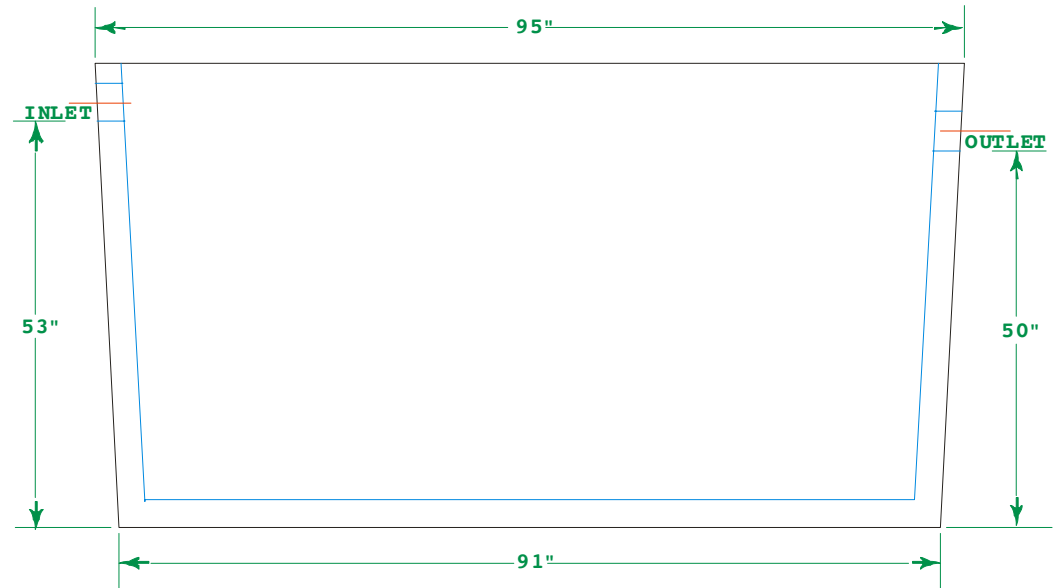
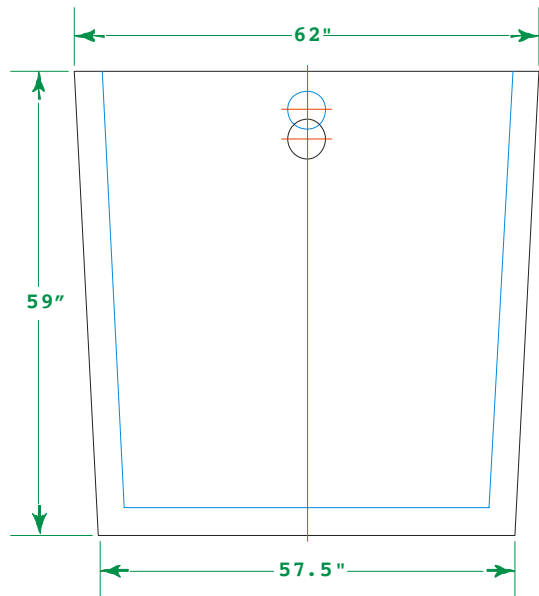
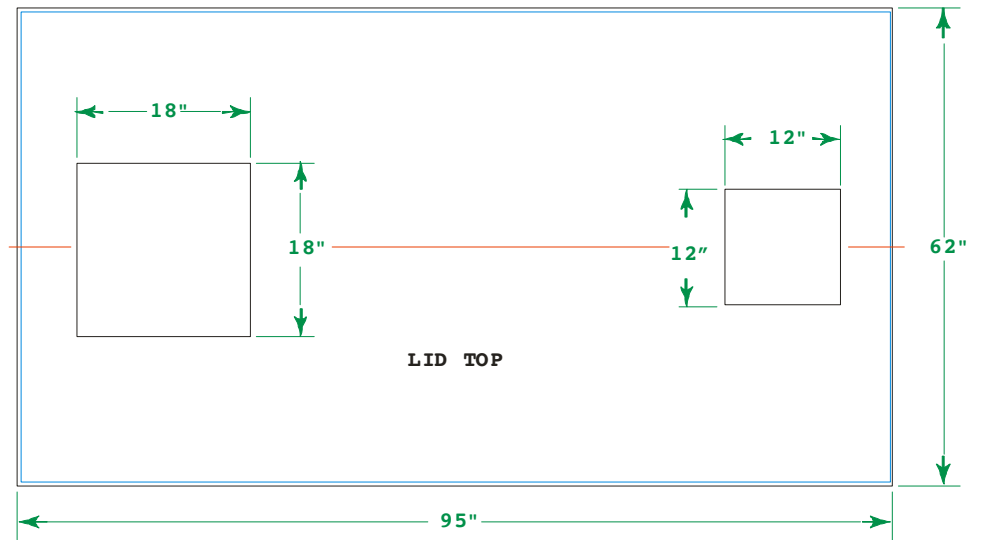
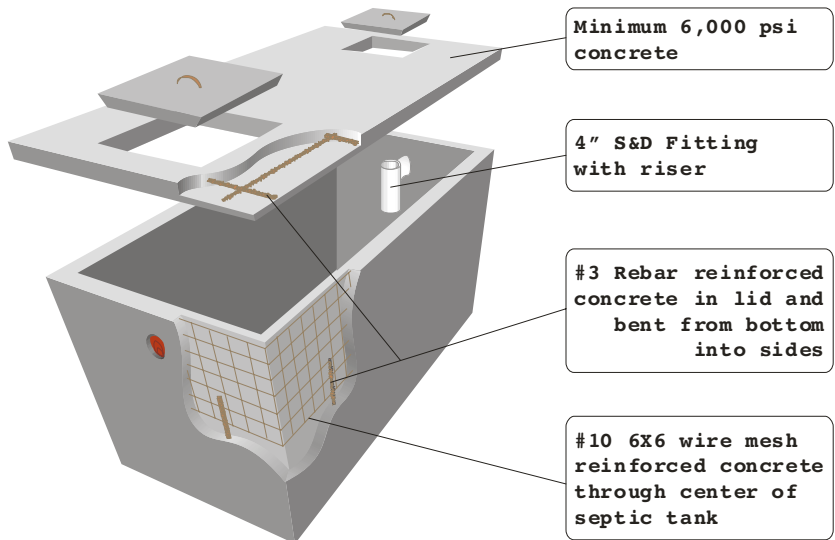


NOTES: _____



RIGHT SIDE VIEW

FRONT VIEW