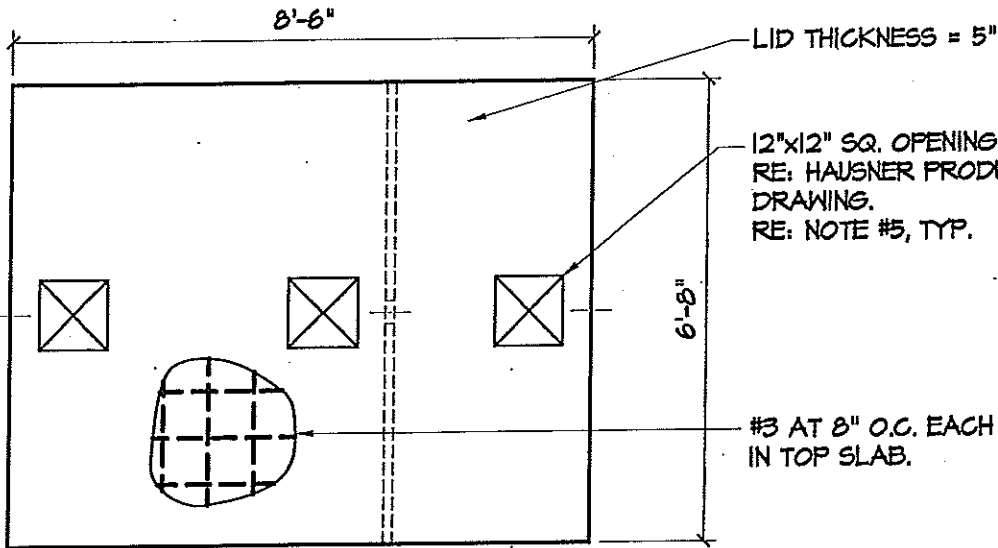
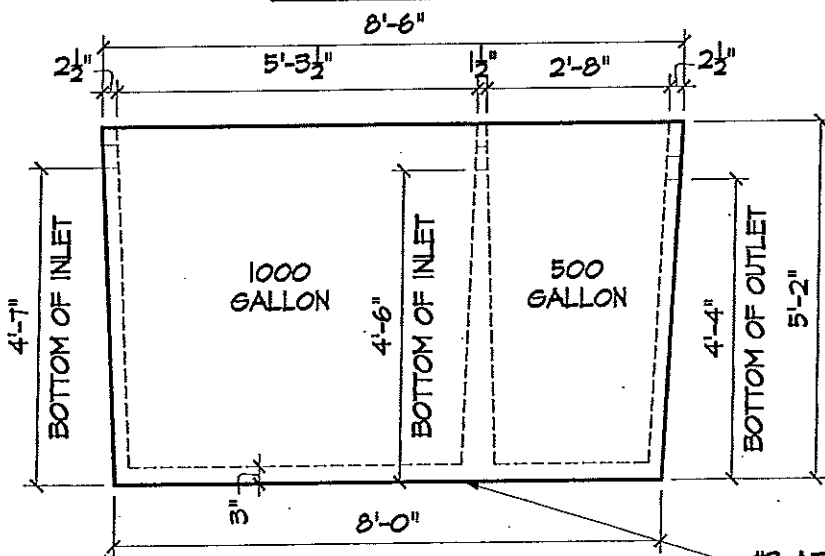
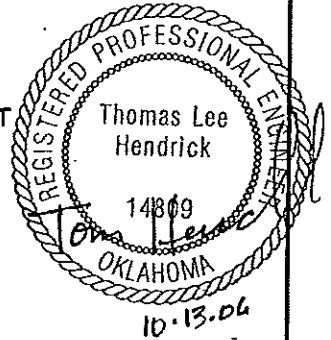


**NOTES:**

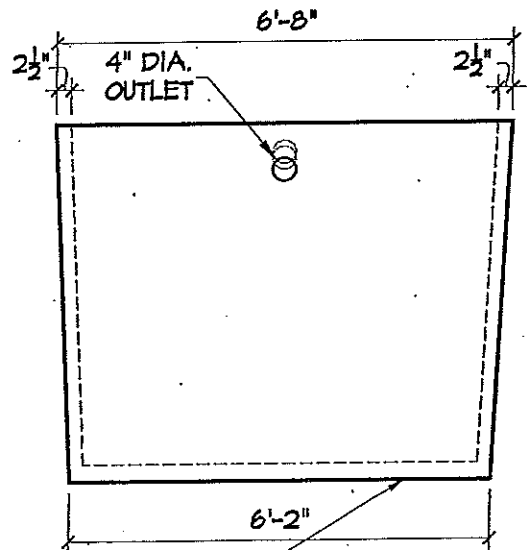
1. CONCRETE THICKNESS SHALL BE AS SHOWN.
2. CONCRETE STRENGTH = 6000 PSI. THE WATER-CEMENT RATIO SHALL NOT EXCEED 0.45.
3. REINFORCING SHALL BE #3 BARS AS SHOWN (40 KSI), PLUS NOVOMESH SECONDARY REINFORCING.
4. CEILING AND FLOOR REINFORCING SHALL BE PLACED AT THE CENTER OF THE SLABS.  
WALL REINFORCING (DOWELS) SHALL BE PLACED AT 3/4 INCHES FROM INSIDE OF WALL.
5. PROVIDE (1)-#3 BAR 2 INCHES FROM FACE OF ALL OPENINGS. EXTEND 12 INCHES PAST OPENING.
6. EXTEND 90 DEGREE BARS (DOWELS) FROM BOTTOM SLAB INTO WALLS A MINIMUM OF 18".  
MATCH DOWEL BARS WITH SPACING OF BOTTOM SLAB BARS AND LAP 16 INCHES.
7. THE SHELTER TOP SLAB IS DESIGNED TO SUPPORT A UNIFORM LOAD OF 200 PSF.
8. THE TOP OF THE TANK IS ASSUMED TO BE PLACED NO MORE THAN 18 INCHES BELOW THE SURFACE.  
IF THE DEPTH VARIES MORE THAN 6 INCHES FROM THIS, THE STRUCTURAL ENGINEER SHOULD BE NOTIFIED.
9. ALL SOILS ADJACENT TO SHELTERS SHALL BE PROPERLY COMPACTED IN UNIFORM LIFTS NOT TO EXCEED 12 INCHES. SOILS SHALL INCLUDE CLEAN SAND, GRAVEL, OR BROKEN STONE AND SHALL BE FREE OF FINES THAT MIGHT OBSTRUCT FREE DRAINAGE.



**PLAN VIEW**



**SIDE VIEW**



**END VIEW**

WALLACE ENGINEERING  
STRUCTURAL CONSULTANTS, INC.  
200 EAST BRADY STREET  
TULSA, OKLAHOMA 74103-2012  
918 584-6654, FAX 918 584-6620



1500 GALLON TWO  
COMPARTMENT SEPTIC TANK

Hausner's Limited

P.O. Box 1307 Durant, Ok 74702-1307  
Phone: 580-924-6988 Fax: 580-924-6742

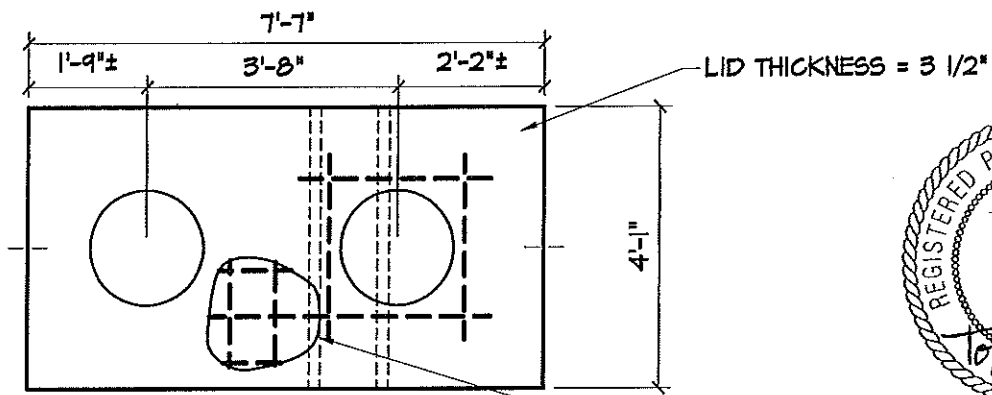
PROJECT NO.: 0610995  
ORIGINAL ISSUE DATE: 10/12/06  
REVISION: ADDENDUM 0  
REVISION DATE: 00/00/00

SHT NO.

**S01**

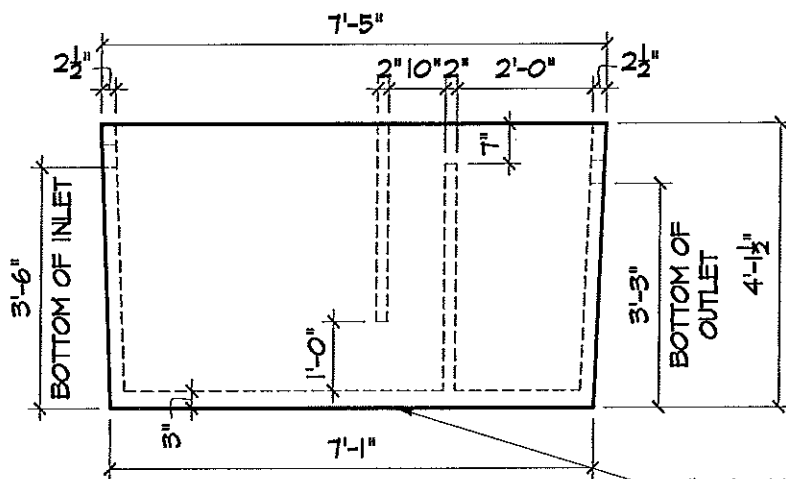
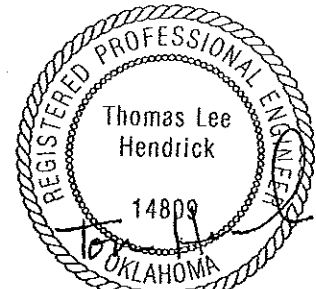
**NOTES:**

1. CONCRETE THICKNESS SHALL BE AS SHOWN.
2. CONCRETE STRENGTH = 6000 PSI. THE WATER-CEMENT RATIO SHALL NOT EXCEED 0.45.
3. REINFORCING SHALL BE #3 BARS AS SHOWN (40 KSI), PLUS NOVOMESH SECONDARY REINFORCING.
4. WALL, FLOOR AND CEILING REINFORCING SHALL BE PLACED AT THE CENTER OF THE SLABS
5. PROVIDE (1)-#3 BAR 2 INCHES FROM FACE OF ALL OPENINGS. EXTEND 12 INCHES PAST OPENINGS.
6. EXTEND 90 DEGREE BARS (DOWELS) FROM BOTTOM SLAB INTO WALLS. MATCH DOWEL BARS WITH SPACING OF BOTTOM SLAB BARS AND LAP 16 INCHES.
7. THE GREASE TRAP CEILING SLAB IS DESIGNED TO SUPPORT A UNIFORM LOAD OF 200 PSF.
8. THE TOP OF THE TANK IS ASSUMED TO BE PLACED NO MORE THAN 18 INCHES BELOW THE SURFACE. IF THE DEPTH VARIES MORE THAN 6 INCHES FROM THIS, THE STRUCTURAL ENGINEER SHOULD BE NOTIFIED.
9. ALL SOILS ADJACENT TO SHELTERS SHALL BE PROPERLY COMPACTED IN UNIFORM LIFTS NOT TO EXCEED 12 INCHES. SOILS SHALL INCLUDE CLEAN SAND, GRAVEL, OR BROKEN STONE AND SHALL BE FREE OF FINES THAT MIGHT OBSTRUCT FREE DRAINAGE.



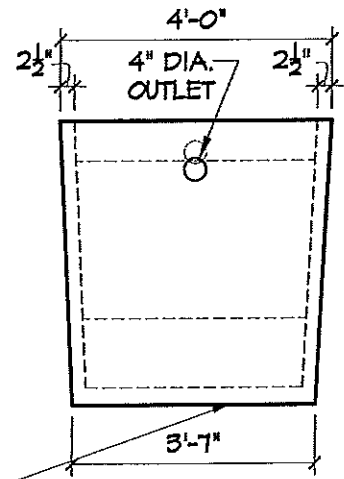
**PLAN VIEW OF LID**

#3 AT 8" O.C. EACH WAY  
IN TOP SLAB.




**SIDE VIEW**

#3 AT 12" O.C. EACH  
WAY IN BOTTOM OF  
SLAB



**END VIEW**

*wallace*  
  
 WALLACE ENGINEERING  
 STRUCTURAL CONSULTANTS, INC.  
 200 EAST BRADY STREET  
 TULSA, OKLAHOMA 74103-2012  
 918 584-3050, FAX 918 584-0666

**500 GALLON GREASE TRAP**

---

**Hausner's Limited**  
 P.O. Box 1307 Durant, Ok 74702-1307  
 Phone: 580-924-6988 Fax: 580-924-6742

PROJECT NO.: 0610996
ORIGINAL ISSUE DATE: 10/13/06
REVISION: ADDENDUM 0
REVISION DATE: 00/00/00

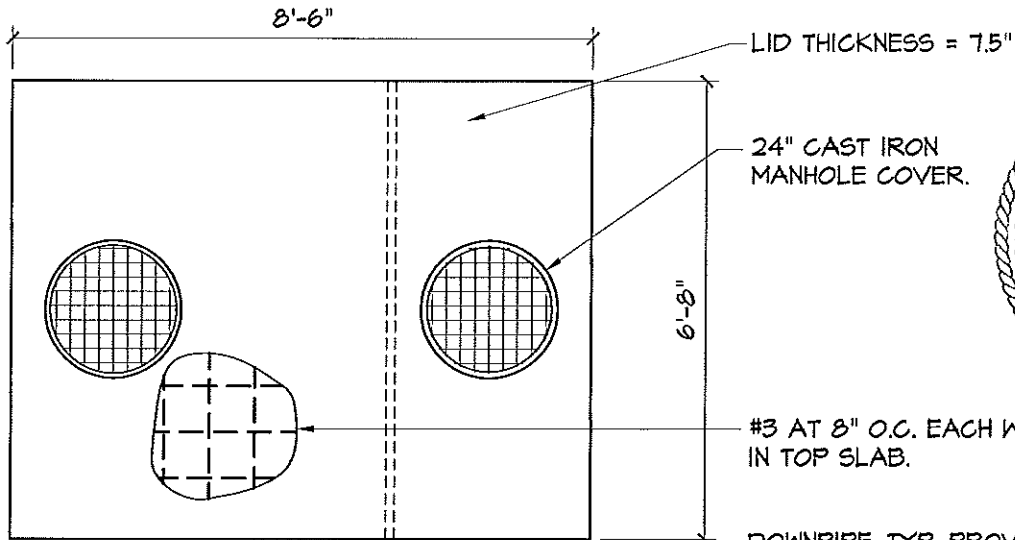
---

**S1**

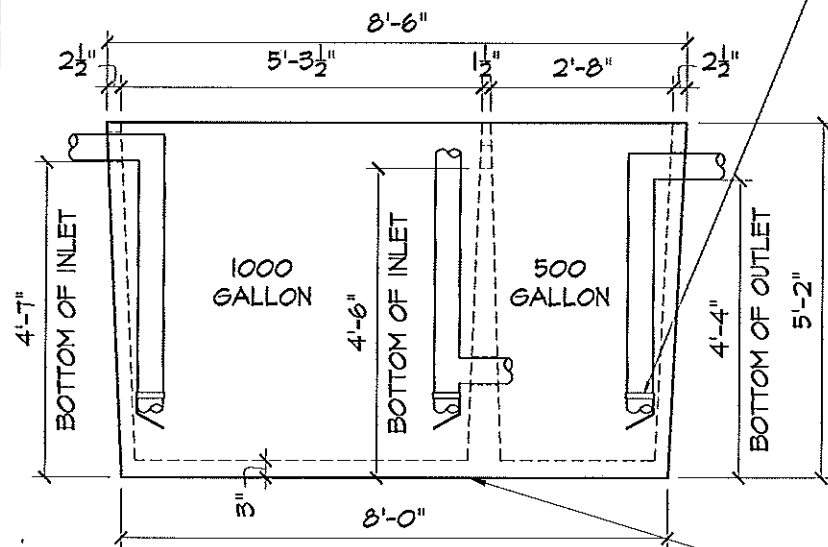
SHEET NO.

**NOTES:**

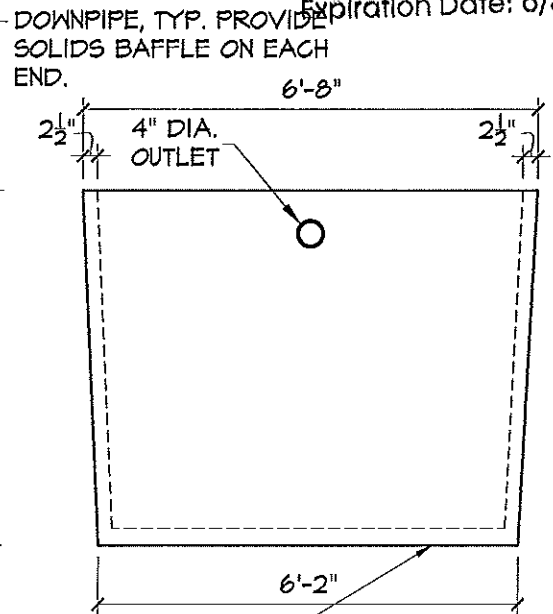
1. CONCRETE THICKNESS SHALL BE AS SHOWN.
2. CONCRETE STRENGTH = 6000 PSI. THE WATER-CEMENT RATIO SHALL NOT EXCEED 0.45.
3. REINFORCING SHALL BE #3 BARS AS SHOWN (40 KSI), PLUS NOVOMESH SECONDARY REINFORCING.
4. CEILING AND FLOOR REINFORCING SHALL BE PLACED AT THE CENTER OF THE SLABS.  
WALL REINFORCING (DOWELS) SHALL BE PLACED AT 3/4 INCHES FROM INSIDE OF WALL.
5. PROVIDE (1)-#3 BAR 2 INCHES FROM FACE OF ALL OPENINGS. EXTEND 12 INCHES PAST OPENING.
6. EXTEND 90 DEGREE BARS (DOWELS) FROM BOTTOM SLAB INTO WALLS A MINIMUM OF 18".  
MATCH DOWEL BARS WITH SPACING OF BOTTOM SLAB BARS AND LAP 16 INCHES.
7. THE SHELTER TOP SLAB IS DESIGNED TO SUPPORT A UNIFORM LOAD OF 295 PSF.
8. THE TOP OF THE TANK IS ASSUMED TO BE PLACED NO MORE THAN 18 INCHES BELOW THE SURFACE.  
IF THE DEPTH VARIES MORE THAN 6 INCHES FROM THIS, THE STRUCTURAL ENGINEER SHOULD BE NOTIFIED.
9. ALL SOILS ADJACENT TO GREASE INTERCEPTOR SHALL BE PROPERLY COMPACTED IN UNIFORM LIFTS NOT TO EXCEED 12 INCHES. SOILS SHALL INCLUDE CLEAN SAND, GRAVEL, OR BROKEN STONE AND SHALL BE FREE OF FINES THAT MIGHT OBSTRUCT FREE DRAINAGE.



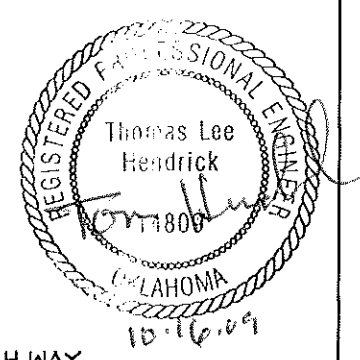
**PLAN VIEW**




**SIDE VIEW**



**END VIEW**



Oklahoma Certificate of Authorization # 1460  
Expiration Date: 6/30/07

**wallace**  
  
 WALLACE ENGINEERING  
 STRUCTURAL CONSULTANTS, INC.  
 200 EAST BRADY STREET  
 TULSA, OKLAHOMA 74103-2012  
 918 584-5858, FAX 918 584-8888

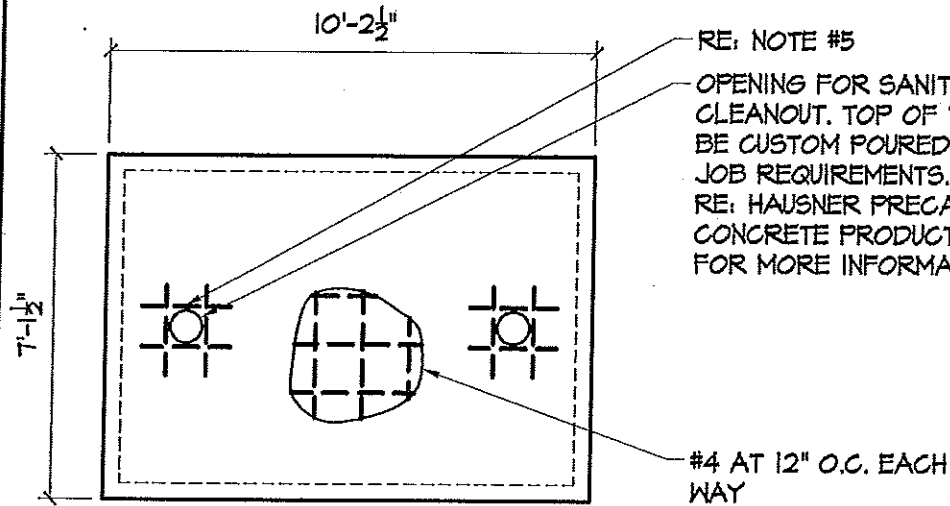
**1500 GALLON  
GREASE INTERCEPTOR**

**Hausner's Limited**  
 P.O. Box 1307 Durant, Ok 74702-1307  
 Phone: 580-924-6988 Fax: 580-924-6742

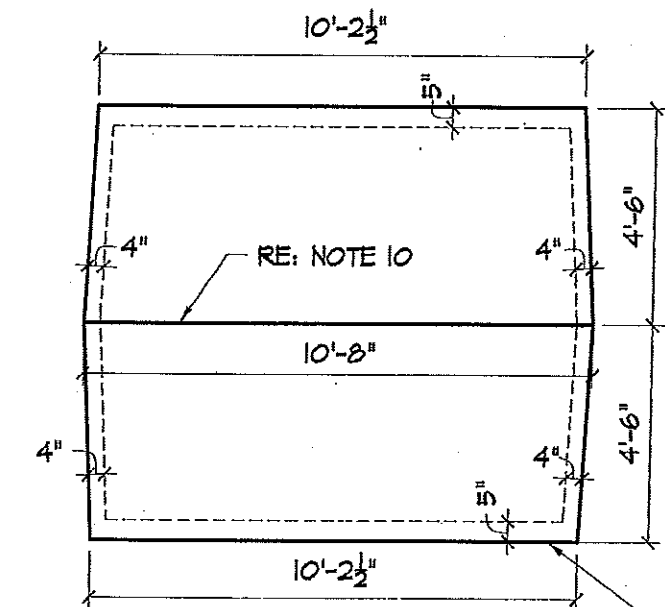
PROJECT NO.: 0611169
ORIGINAL ISSUE DATE: 11/--/06
REVISION: ADDENDUM 0
REVISION DATE: 00/00/00
SHT NO. <b>S01</b>

**NOTES:**

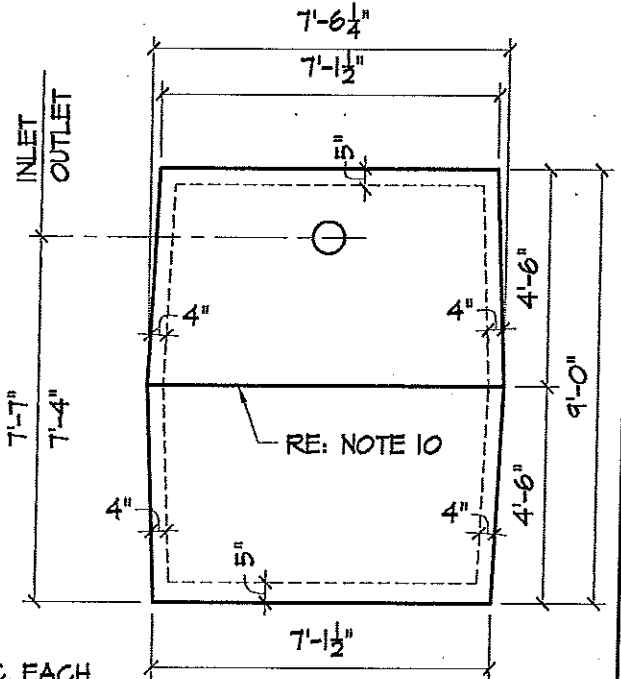
1. CONCRETE THICKNESS SHALL BE AS SHOWN.
2. CONCRETE STRENGTH = 6000 PSI. THE WATER-CEMENT RATIO SHALL NOT EXCEED 0.45.
3. REINFORCING SHALL BE #4 BARS AS SHOWN (40 KSI), PLUS NOVOMESH SECONDARY REINFORCING.
4. TOP AND BOTTOM REINFORCING SHALL BE PLACED AT THE CENTER OF SLABS. REINFORCING IN WALL SLAB SHALL BE PLACED AT 1 INCH FROM INSIDE FACE OF WALL.
5. PROVIDE (1)-#4 BAR 2 INCHES FROM FACE OF ALL OPENINGS. EXTEND 12 INCHES PAST OPENING.
6. EXTEND 90 DEGREE BARS (DOWELS) FROM SLABS INTO WALLS. MATCH DOWEL BARS WITH SPACING OF SLAB BARS AND LAP 18 INCHES.
7. THE TANK TOP SLAB IS DESIGNED TO SUPPORT A UNIFORM LOAD OF 190 PSF.
8. ALL SOILS ADJACENT TO TANK SHALL BE PROPERLY COMPACTED IN UNIFORM LIFTS NOT TO EXCEED 12 INCHES. SOILS SHALL INCLUDE CLEAN SAND, GRAVEL OR BROKEN STONE AND SHALL BE FREE OF FINES THAT MIGHT OBSTRUCT FREE DRAINAGE.
9. RE: HAUSNER PRECAST CONCRETE PRODUCT DRAWINGS FOR OTHER INFORMATION NOT SHOWN.
10. JOINT MUST BE CAPABLE OF RESISTING 300 LBS/FT.



**PLAN VIEW**



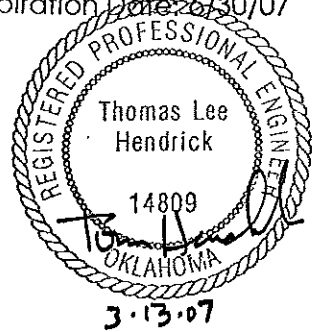
**SIDE VIEW**



**END VIEW**

RE: NOTE #5  
 OPENING FOR SANITARY TEE CLEANOUT. TOP OF TANK CAN BE CUSTOM Poured TO MEET JOB REQUIREMENTS.  
 RE: HAUSNER PRECAST CONCRETE PRODUCT DRAWING FOR MORE INFORMATION

Oklahoma Certificate of Authorization # 1460  
 Expiration Date 6/30/07



WALLACE ENGINEERING  
 STRUCTURAL CONSULTANTS, INC.  
 200 EAST BRADY STREET  
 TULSA, OKLAHOMA 74103-2012  
 918 654-5555, FAX 918 654-5590



**3500 GALLON TANK**

**HAUSNER LIMITED**

P.O. Box 1307 Durant, OK 74702  
 Phone: 580-924-6988

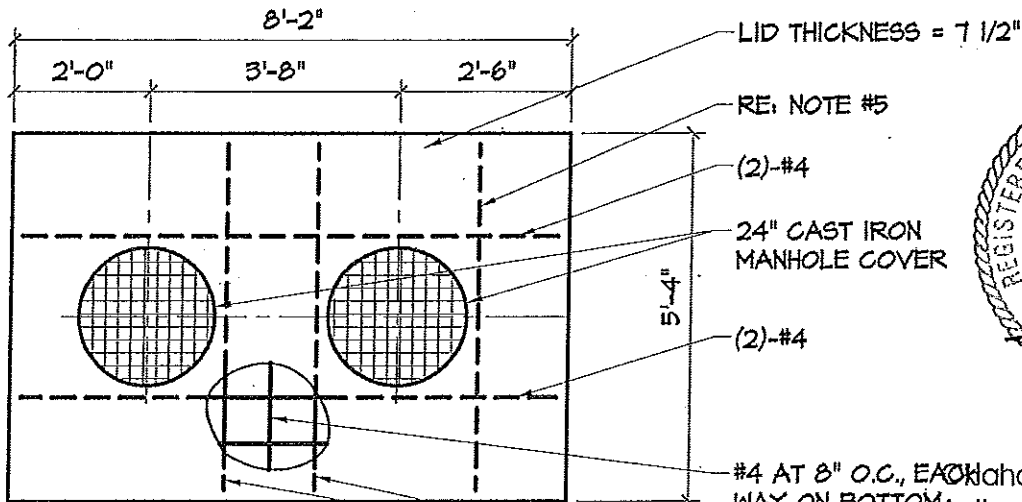
PROJECT NO.: 0710189  
 ORIGINAL ISSUE DATE: 2/28/07  
 REVISION:  
 REVISION DATE:

SHEET NO.

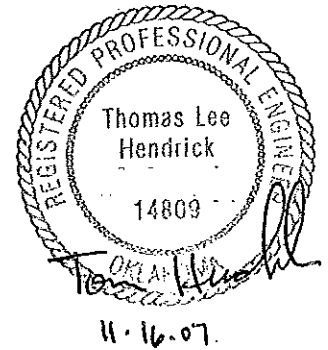
**S01**

**NOTES:**

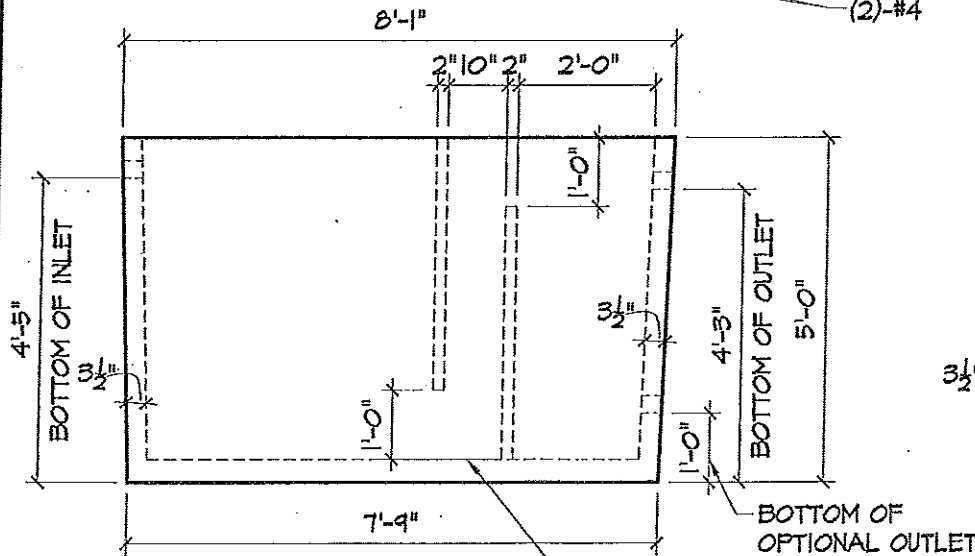
1. CONCRETE THICKNESS SHALL BE AS SHOWN.
2. CONCRETE STRENGTH = 6000 PSI. THE WATER-CEMENT RATIO SHALL NOT EXCEED 0.45.
3. REINFORCING SHALL BE #3 OR #4 BARS AS SHOWN (40 KSI), PLUS NOVOMESH SECONDARY REINFORCING.
4. WALL AND FLOOR REINFORCING SHALL BE PLACED AT THE CENTER OF THE SLABS. CEILING (LID) REINFORCING SHALL BE PLACED WITH A CLEAR DISTANCE OF 3/4" FROM BOTTOM OF SLAB. REBAR IN SHORT DIRECTION SHALL BE CLOSEST TO BOTTOM.
5. PROVIDE (2)-#4 BAR 2 INCHES FROM FACE OF ALL OPENINGS.
6. EXTEND 90 DEGREE BARS (DOWELS) FROM BOTTOM SLAB INTO WALLS. MATCH DOWEL BARS WITH SPACING OF BOTTOM SLAB BARS AND LAP 16 INCHES.
7. THE GREASE TRAP CEILING SLAB IS DESIGNED TO SUPPORT A UNIFORM LOAD OF 250 PSF OR A CONCENTRATED LOAD OF 16,000 LBS.
8. THE TOP OF THE TANK IS ASSUMED TO BE PLACED WITHIN 24 INCHES OF THE SURFACE. IF THE DEPTH EXCEEDS THIS BY MORE THAN 4 INCHES, THE STRUCTURAL ENGINEER SHOULD BE NOTIFIED.
9. ALL SOILS ADJACENT TO SHELTERS SHALL BE PROPERLY COMPACTED IN UNIFORM LIFTS NOT TO EXCEED 12 INCHES. SOILS SHALL INCLUDE CLEAN SAND, GRAVEL, OR BROKEN STONE AND SHALL BE FREE OF FINES THAT MIGHT OBSTRUCT FREE DRAINAGE.



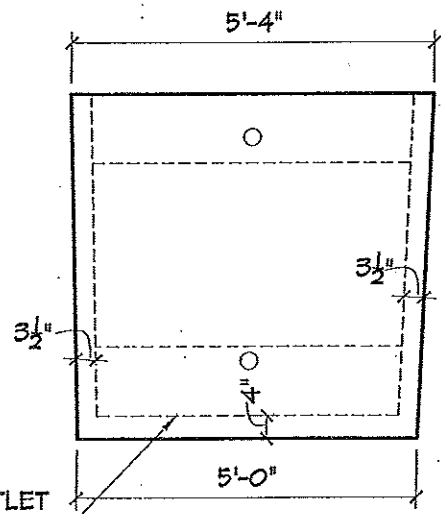
**PLAN VIEW**



Oklahoma Certificate of Authorization #1460  
Expiration Date: 6/30/09



**SIDE VIEW**



**END VIEW**

#3 AT 12" O.C. EACH WAY IN BOTTOM OF SLAB

**wallace**  
WALLACE ENGINEERING  
STRUCTURAL CONSULTANTS, INC.  
200 EAST BRADY STREET  
TULSA, OKLAHOMA 74103-2012  
918 584-5558, FAX 918 534-8658  
OKLAHOMA C.A. #1460, EXP. 6/30/09



1000 GALLON GREASE  
INTERCEPTOR

**Hausner's Limited**

P.O. Box 1307 Durant, Ok 74702-1307  
Phone: 580-924-6988 Fax: 580-924-6742

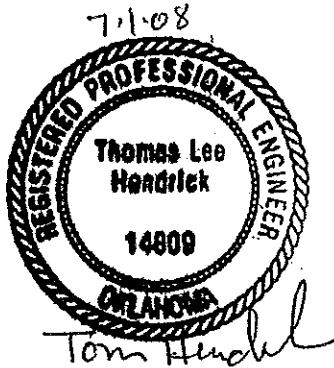
PROJECT NO.: 0711109  
ORIGINAL ISSUE DATE: 11/15/07  
REVISION: ADDENDUM 0  
REVISION DATE: 00/00/00

SHEET NO.

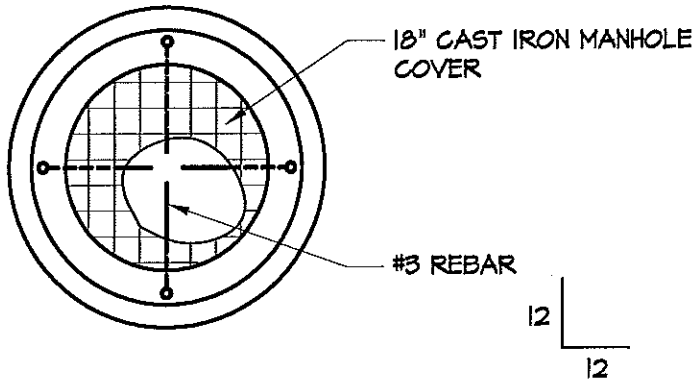
**S01**

**NOTES:**

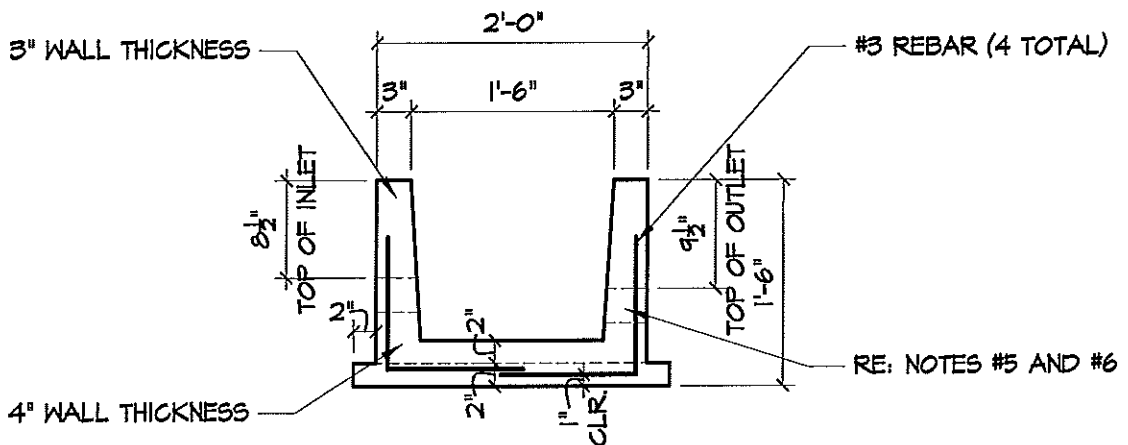
1. CONCRETE THICKNESS SHALL BE AS SHOWN.
2. CONCRETE STRENGTH = 6000 PSI. THE WATER-CEMENT RATIO SHALL NOT EXCEED 0.45.
3. REINFORCING SHALL BE #3 BARS AS SHOWN (40 KSI).
4. WALL AND FLOOR REINFORCING SHALL BE PLACED AT THE CENTER OF THE SLABS.
5. THE DIAMETER OF THE INLET AND OUTLET CAN VARY FROM 2" TO 4".
6. THE DROP IN THE WELL FROM INLET TO OUTLET CAN BE ADJUSTED PER ORDER.



Oklahoma Certificate of  
Authorization #1460  
Expiration Date: 6/30/09



**PLAN VIEW**



**FRONT VIEW**

*wallace*

WALLACE ENGINEERING  
STRUCTURAL CONSULTANTS, INC.  
200 EAST BRADY STREET  
TULSA, OKLAHOMA 74103-2012  
918 584-5858, FAX 918 584-8659  
OKLAHOMA C.A. #1460, EXP. 6/30/09

**18" SAMPLING PORT/WELL**

**Hausner's Limited**

P.O. Box 1307 Durant, Ok 74702-1307  
Phone: 580-924-6988 Fax: 580-924-6742

PROJECT NO.: 0610624  
ORIGINAL ISSUE DATE: 6/30/08  
REVISION: ADDENDUM 0  
REVISION DATE: 00/00/00

SHEET NO.

**S01**

