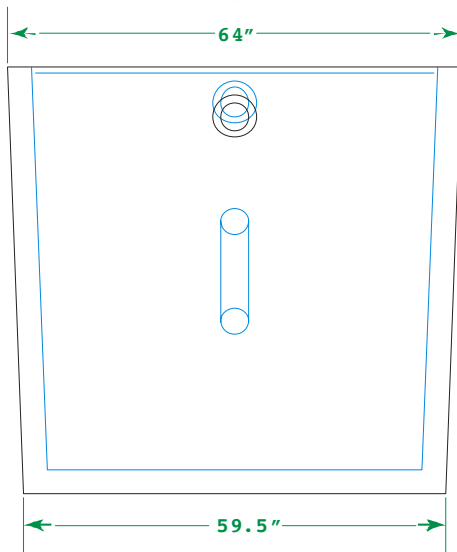


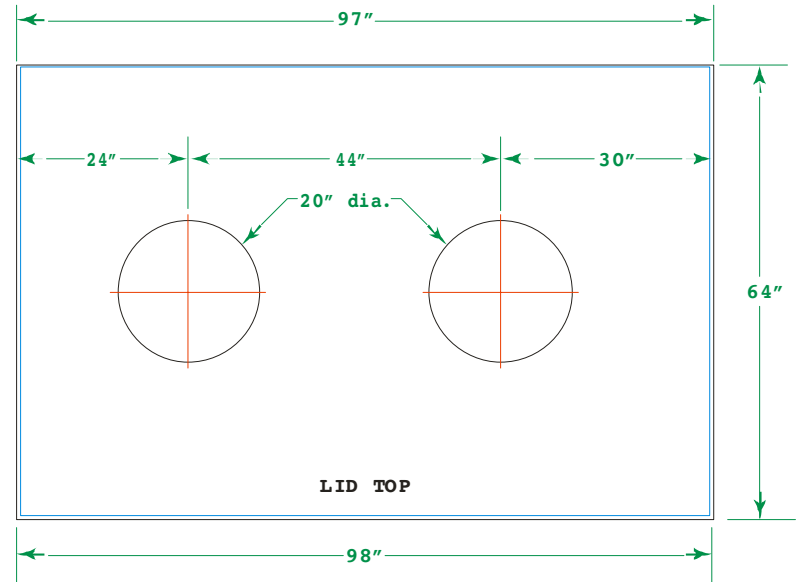
Minimum 6,000 psi concrete

#3 Rebar reinforced concrete in lid and bent from bottom into sides

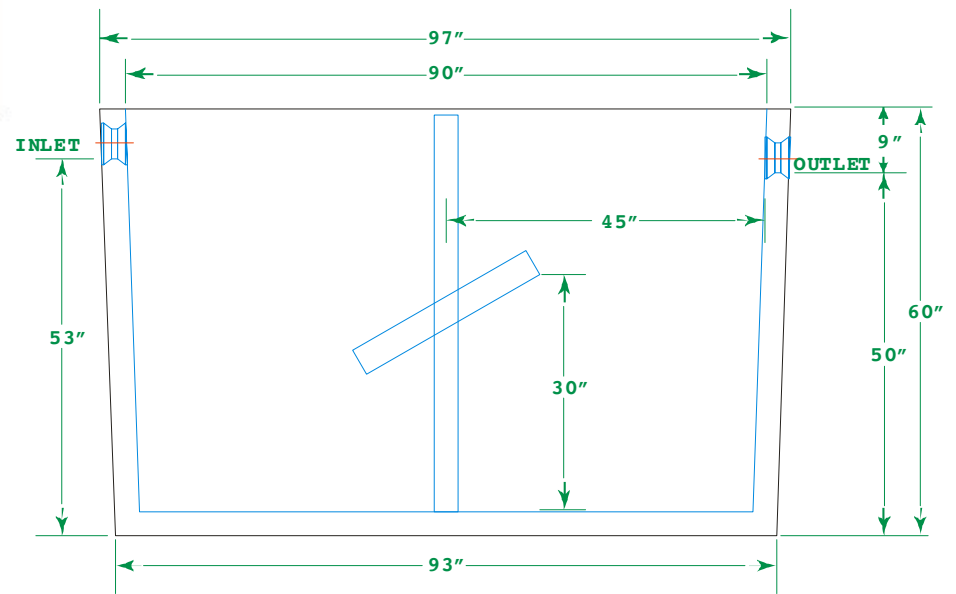
#10 6X6 wire mesh reinforced concrete through center of septic tank



RIGHT SIDE VIEW



LID TOP



FRONT VIEW