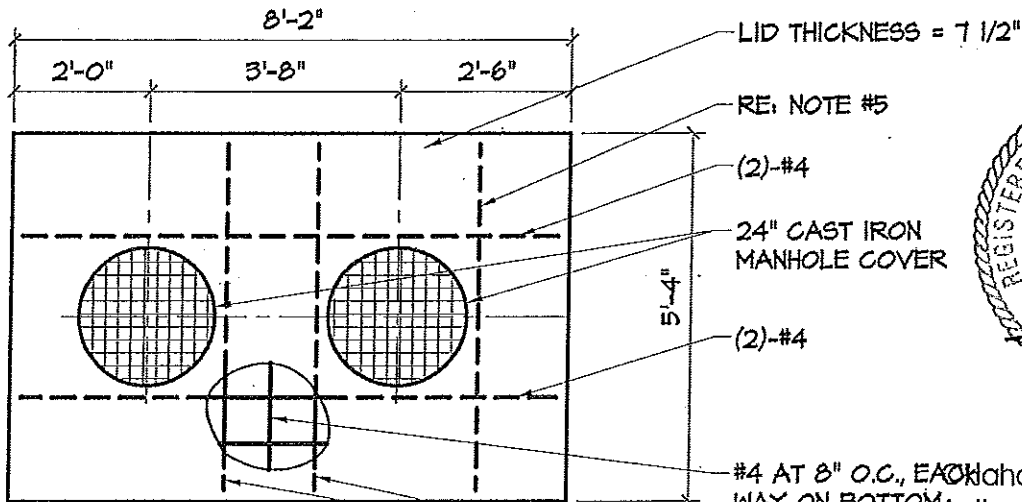
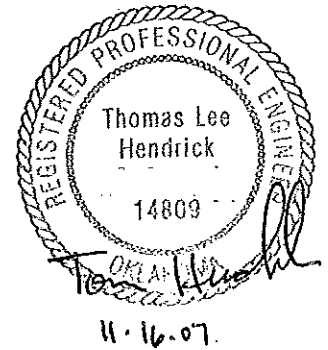


NOTES:

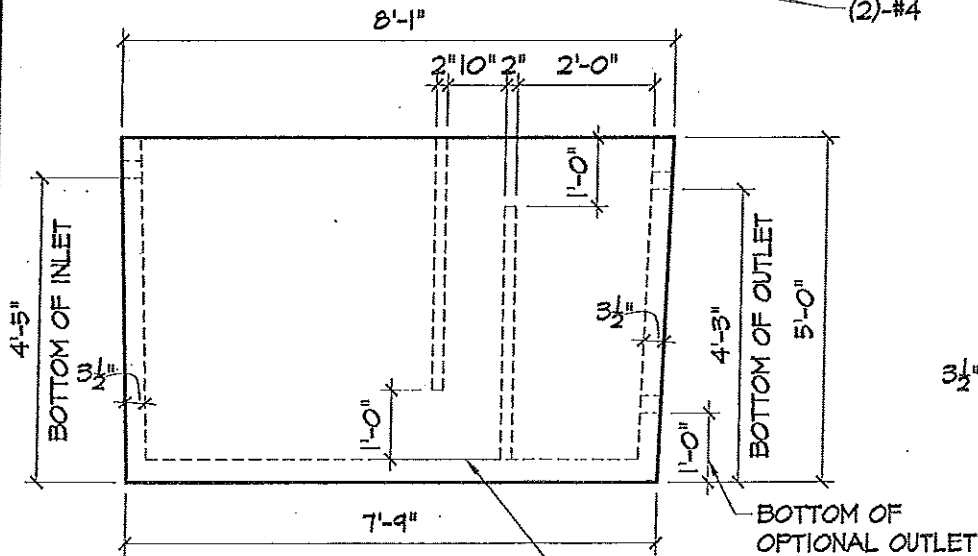
1. CONCRETE THICKNESS SHALL BE AS SHOWN.
2. CONCRETE STRENGTH = 6000 PSI. THE WATER-CEMENT RATIO SHALL NOT EXCEED 0.45.
3. REINFORCING SHALL BE #3 OR #4 BARS AS SHOWN (40 KSI), PLUS NOVOMESH SECONDARY REINFORCING.
4. WALL AND FLOOR REINFORCING SHALL BE PLACED AT THE CENTER OF THE SLABS. CEILING (LID) REINFORCING SHALL BE PLACED WITH A CLEAR DISTANCE OF 3/4" FROM BOTTOM OF SLAB. REBAR IN SHORT DIRECTION SHALL BE CLOSEST TO BOTTOM.
5. PROVIDE (2)-#4 BAR 2 INCHES FROM FACE OF ALL OPENINGS.
6. EXTEND 90 DEGREE BARS (DOWELS) FROM BOTTOM SLAB INTO WALLS. MATCH DOWEL BARS WITH SPACING OF BOTTOM SLAB BARS AND LAP 16 INCHES.
7. THE GREASE TRAP CEILING SLAB IS DESIGNED TO SUPPORT A UNIFORM LOAD OF 250 PSF OR A CONCENTRATED LOAD OF 16,000 LBS.
8. THE TOP OF THE TANK IS ASSUMED TO BE PLACED WITHIN 24 INCHES OF THE SURFACE. IF THE DEPTH EXCEEDS THIS BY MORE THAN 4 INCHES, THE STRUCTURAL ENGINEER SHOULD BE NOTIFIED.
9. ALL SOILS ADJACENT TO SHELTERS SHALL BE PROPERLY COMPACTED IN UNIFORM LIFTS NOT TO EXCEED 12 INCHES. SOILS SHALL INCLUDE CLEAN SAND, GRAVEL, OR BROKEN STONE AND SHALL BE FREE OF FINES THAT MIGHT OBSTRUCT FREE DRAINAGE.



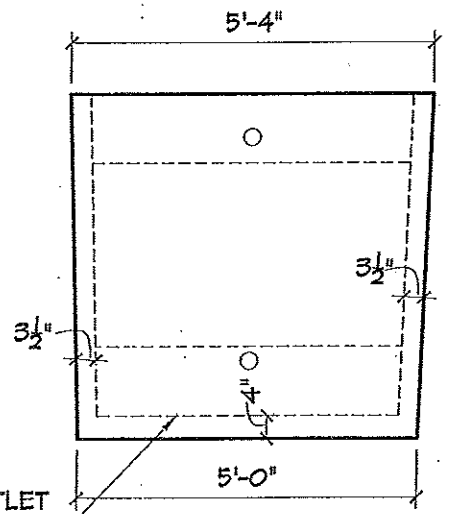
PLAN VIEW



Oklahoma Certificate of Authorization #1460
Expiration Date: 6/30/09



SIDE VIEW



END VIEW

#3 AT 12" O.C. EACH WAY IN BOTTOM OF SLAB

wallace
WALLACE ENGINEERING
STRUCTURAL CONSULTANTS, INC.
200 EAST BRADY STREET
TULSA, OKLAHOMA 74103-2012
918 584-5558, FAX 918 534-8658
OKLAHOMA C.A. #1460, EXP. 6/30/09



1000 GALLON GREASE
INTERCEPTOR

Hausner's Limited

P.O. Box 1307 Durant, Ok 74702-1307
Phone: 580-924-6988 Fax: 580-924-6742

PROJECT NO.: 0711109
ORIGINAL ISSUE DATE: 11/15/07
REVISION: ADDENDUM 0
REVISION DATE: 00/00/00

SHEET NO.

S01