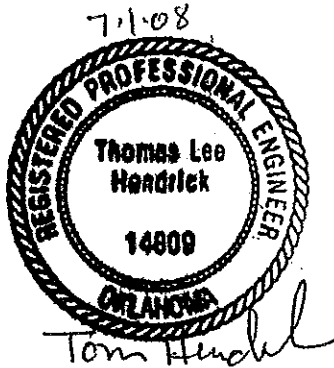
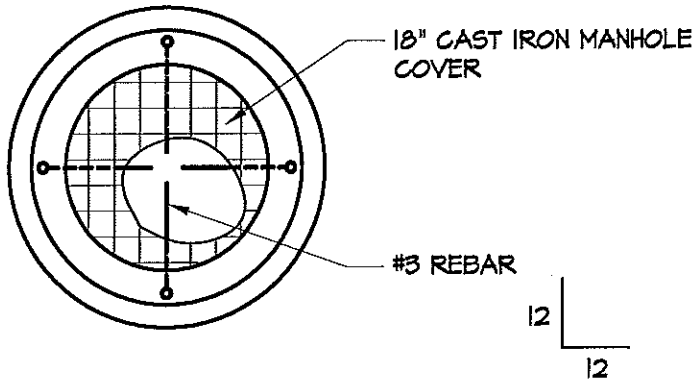


**NOTES:**

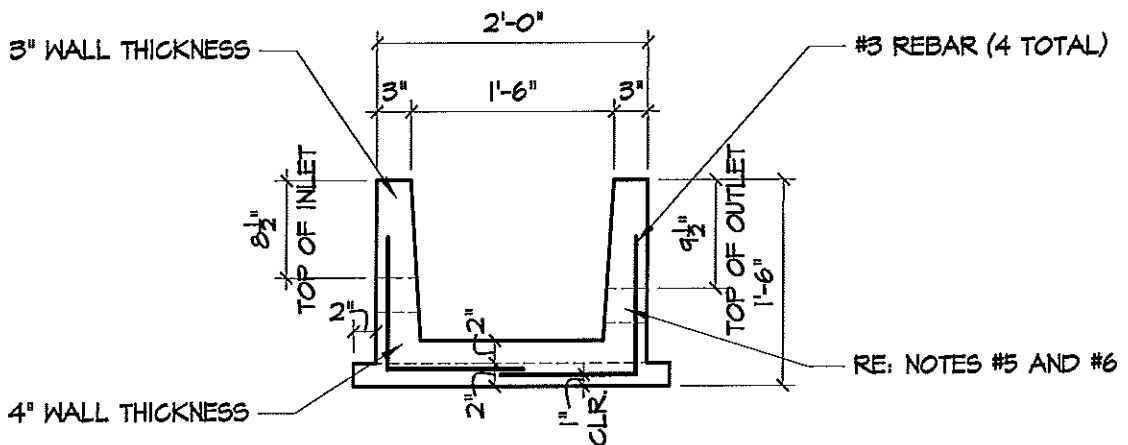
1. CONCRETE THICKNESS SHALL BE AS SHOWN.
2. CONCRETE STRENGTH = 6000 PSI. THE WATER-CEMENT RATIO SHALL NOT EXCEED 0.45.
3. REINFORCING SHALL BE #3 BARS AS SHOWN (40 KSI).
4. WALL AND FLOOR REINFORCING SHALL BE PLACED AT THE CENTER OF THE SLABS.
5. THE DIAMETER OF THE INLET AND OUTLET CAN VARY FROM 2" TO 4".
6. THE DROP IN THE WELL FROM INLET TO OUTLET CAN BE ADJUSTED PER ORDER.



Oklahoma Certificate of  
Authorization #1460  
Expiration Date: 6/30/09



**PLAN VIEW**



**FRONT VIEW**

*wallace*

WALLACE ENGINEERING  
STRUCTURAL CONSULTANTS, INC.  
200 EAST BRADY STREET  
TULSA, OKLAHOMA 74103-2012  
918 584-5858, FAX 918 584-8659  
OKLAHOMA C.A. #1460, EXP. 6/30/09

**18" SAMPLING PORT/WELL**

**Hausner's Limited**

P.O. Box 1307 Durant, Ok 74702-1307  
Phone: 580-924-6988 Fax: 580-924-6742

PROJECT NO.: 0610624  
ORIGINAL ISSUE DATE: 6/30/08  
REVISION: ADDENDUM 0  
REVISION DATE: 00/00/00

SHEET NO.

**S01**