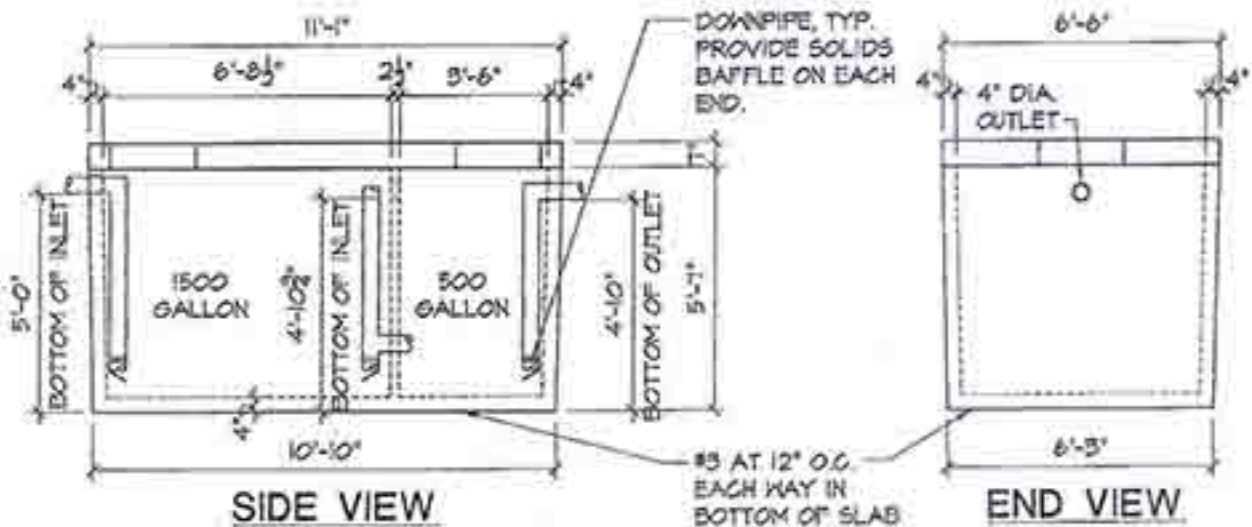
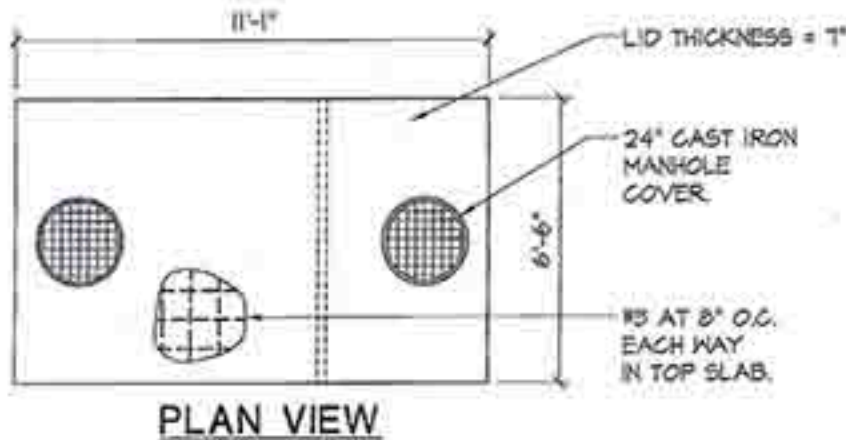


**NOTES:**

1. CONCRETE THICKNESS SHALL BE AS SHOWN.
2. CONCRETE STRENGTH = 6000 PSI. THE WATER-CEMENT RATIO SHALL NOT EXCEED 0.45.
3. REINFORCING SHALL BE #3 BARS AS SHOWN (40 KSI), PLUS NOVOMESH SECONDARY REINFORCING.
4. LID AND FLOOR REINFORCING SHALL BE PLACED AT THE CENTER OF THE SLABS. WALL REINFORCING (DOWELS) SHALL BE PLACED AT 3/4 INCHES FROM INSIDE OF WALL.
5. PROVIDE (1)-#3 BAR 2 INCHES FROM FACE OF ALL OPENINGS. EXTEND 12 INCHES PAST OPENING.
6. EXTEND 90 DEGREE BARS (DOWELS) FROM BOTTOM SLAB INTO WALLS A MINIMUM OF 18". MATCH DOWEL BARS WITH SPACING OF BOTTOM SLAB BARS AND LAP 18 INCHES.
7. THE TANK LID IS DESIGNED TO SUPPORT A UNIFORM LOAD OF 200 PSF.
8. THE TOP OF THE TANK IS ASSUMED TO BE PLACED NO MORE THAN 18 INCHES BELOW THE SURFACE. IF THE DEPTH VARIES MORE THAN 6 INCHES FROM THIS, THE STRUCTURAL ENGINEER SHOULD BE NOTIFIED.
9. ALL SOILS ADJACENT TO GREASE INTERCEPTOR SHALL BE PROPERLY COMPACTED IN UNIFORM LIFTS NOT TO EXCEED 12 INCHES. SOILS SHALL INCLUDE CLEAN SAND, GRAVEL, OR BROKEN STONE AND SHALL BE FREE OF FINES THAT MIGHT OBSTRUCT FREE DRAINAGE.



**2000 GALLON  
 GREASE INTERCEPTOR**

**Hausner's Limited**

P.O. Box 1307 Dallas, TX 75201-1307  
 Phone: 502-524-8888 Fax: 502-524-8743

PROJECT NO: 1110226  
 ORIGINAL ISSUE DATE: 3/14/11  
 REVISION  
 REVISION DATE:

SHEET NO.

**S01**